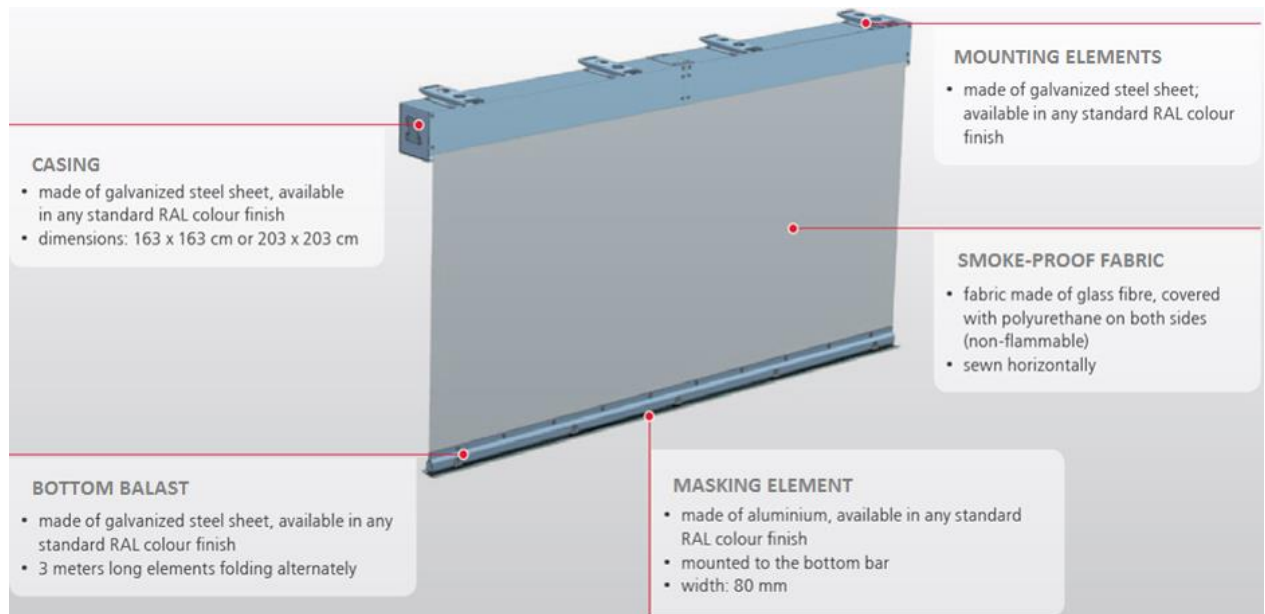


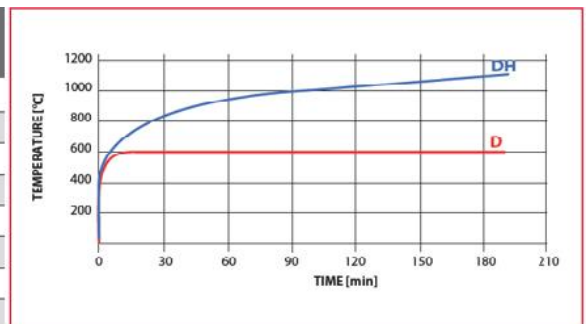
mcr PROSMOKE FS

automatic smoke curtains (ASB1, ASB3)

mcr PROSMOKE FS is a gravity-drop smoke curtain, certified according to EN 12101-1

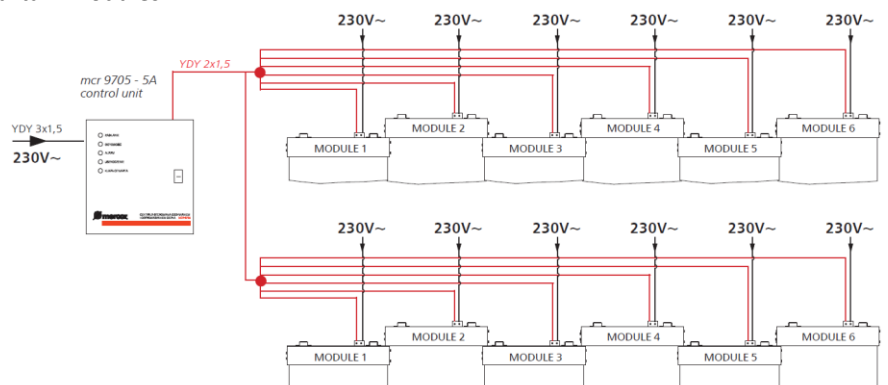
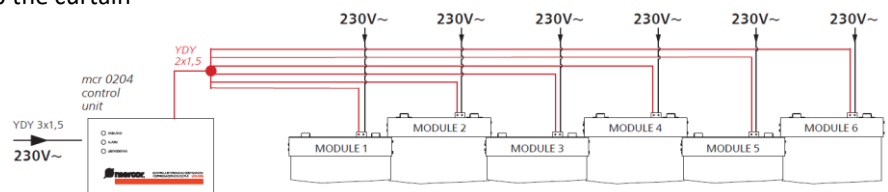


Parameter	mcr PROSMOKE FS
curtain descent	gravity fail-safe
maximum number of modules	14 pieces
minimum module width	2,0 m
curtain height range	0,5 m - 6,5 m
maximum 24V power consumption	0,25 A (brake)
motor voltage	230 VAC
fire classification	D30 - D180
angle connections	YES



Motor parameters

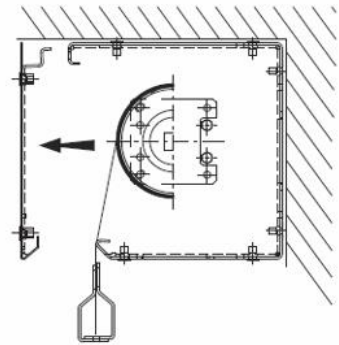
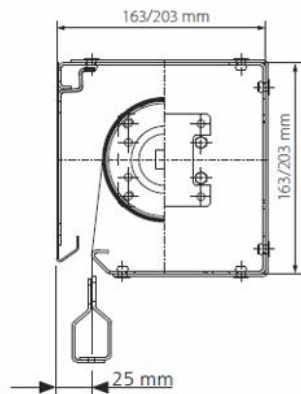
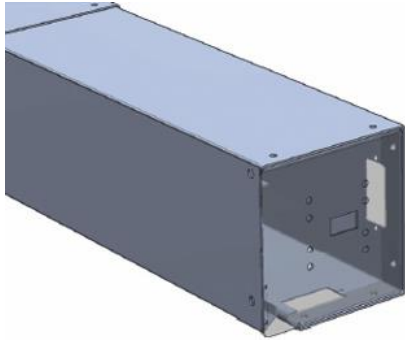
- 230 VAC 270W control to roll up the curtain
- 24 VDC brake
- Torque: 40Nm
- End switch: top position
- Continuous work max. 8 min.
- Reliability: 1000 cycles
- Works with mcr control units:
 - mcr 0204: max. 8 smoke curtain modules
 - mcr 9705-5A: max. 12 smoke curtain modules



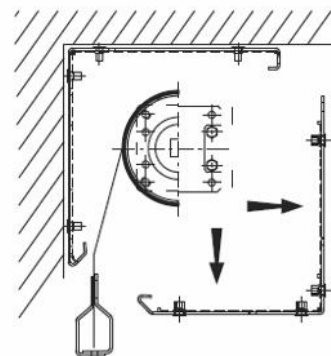
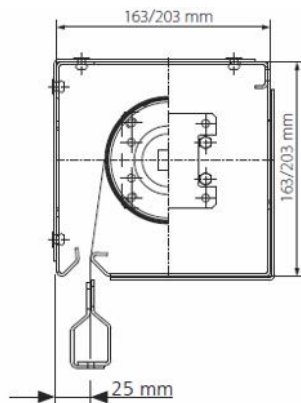
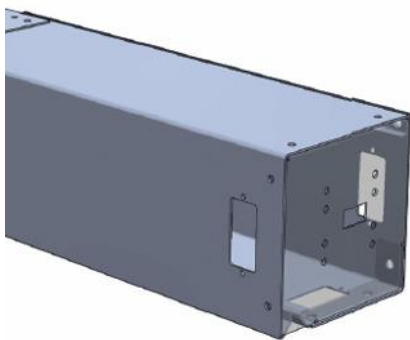
Casings

- Size 163x163 mm or 203x203 mm

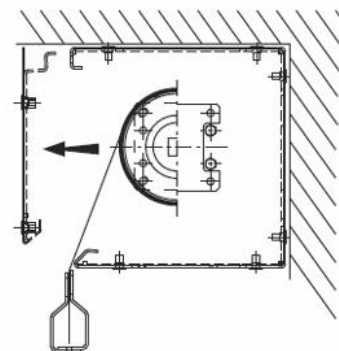
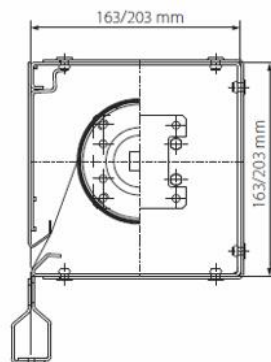
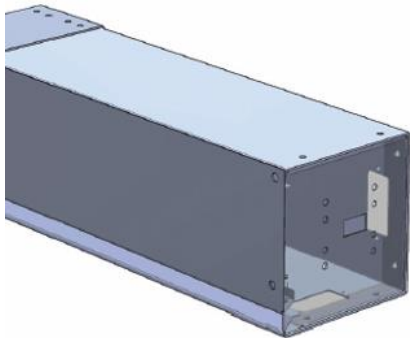
Type C



Type L



Type K

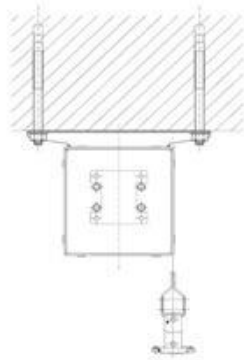
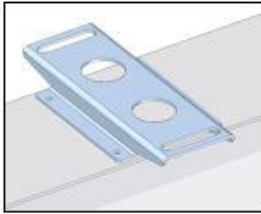


Mounting elements

Type A

Width: 250 mm

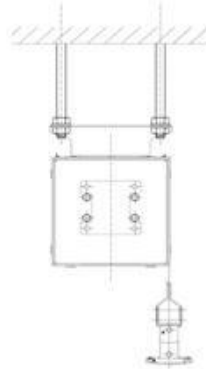
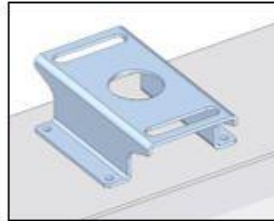
Height: 24 mm



Type B

Width: 160 mm

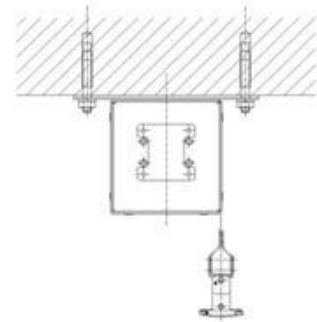
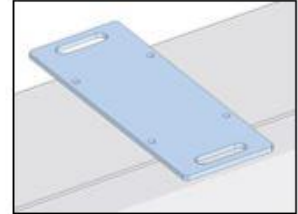
Height: 48 mm



Type C

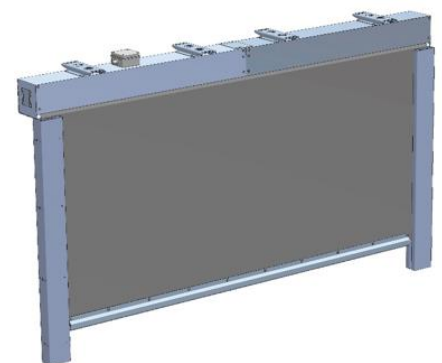
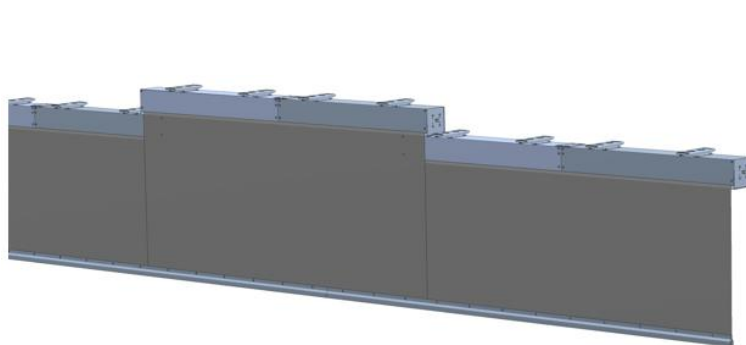
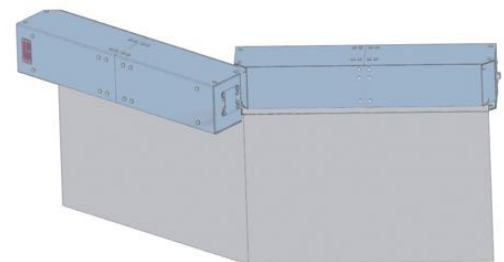
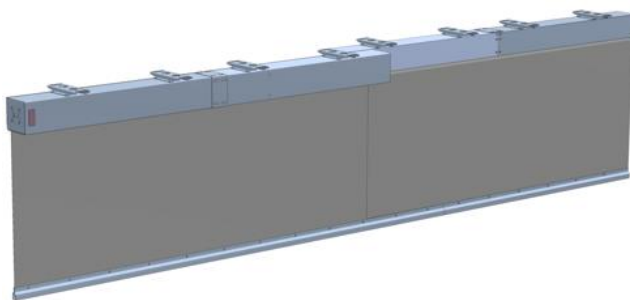
Width: 250 mm

Height: 5 mm



Options

- Side guides
- Horizontal and vertical connections
- Various angle connections with 'cut corner' K-T casing
- Powder coating in RAL color of metal elements: casing, bottom ballast, masking element, side guides



More details included in Mercor's Technical Catalogue 2020 available on request