

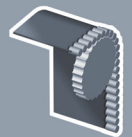


ENTRE/MATIC



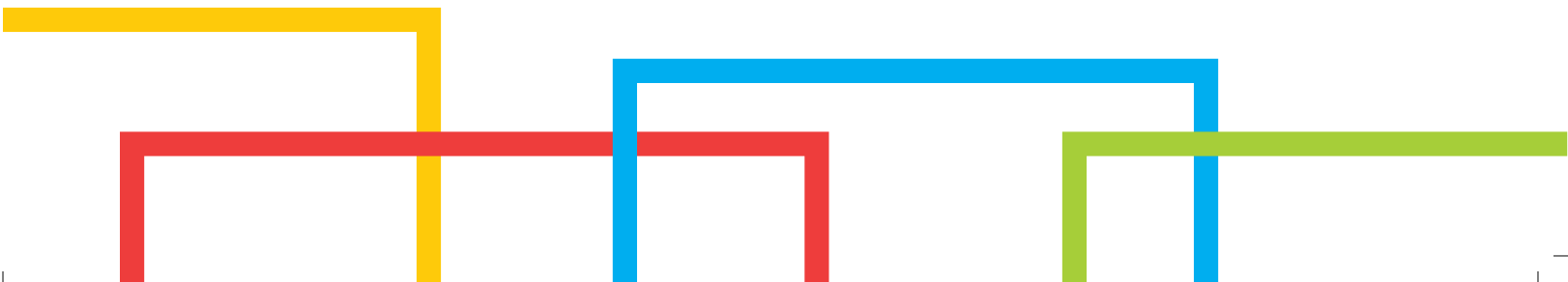
DYNACO M2 FREEZER

Push-Pull
gear driven technology



inside door

www.dynacodoor.com



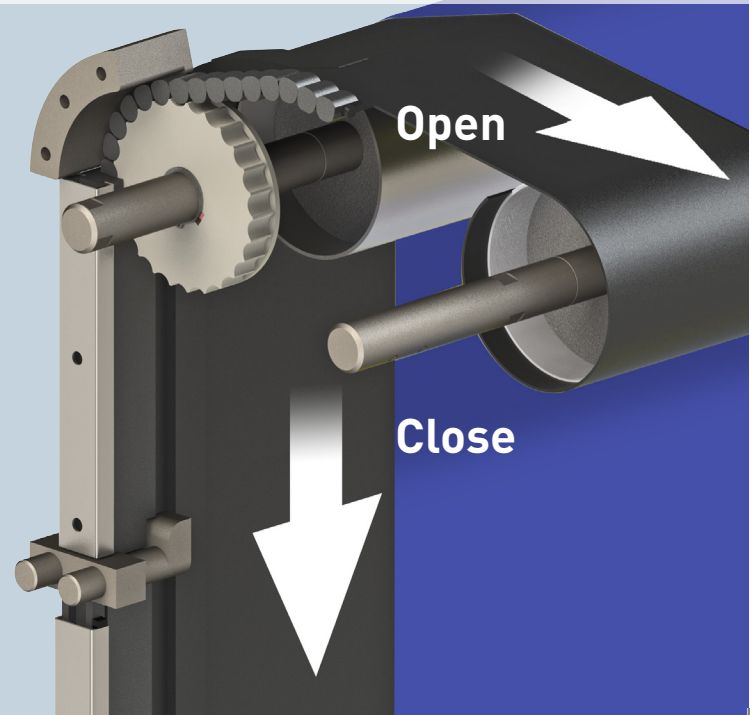
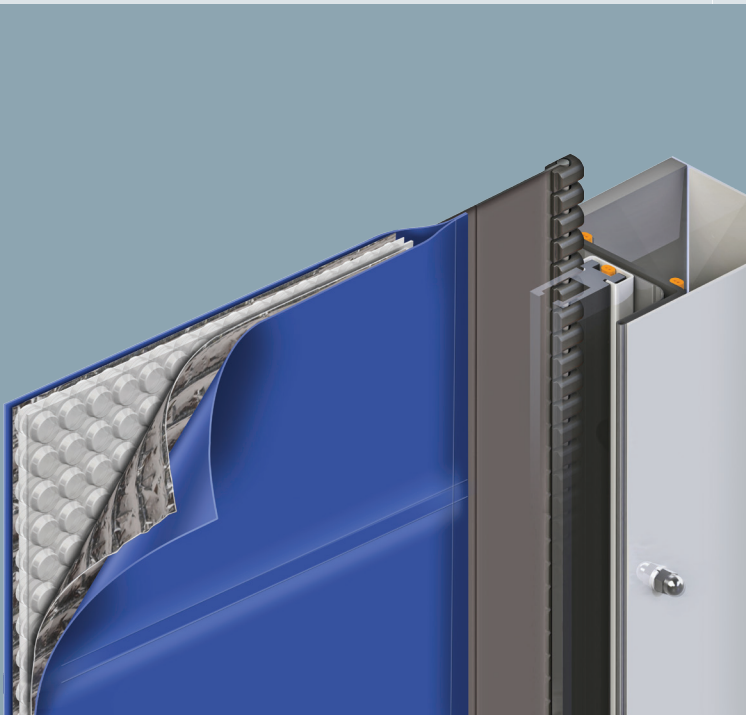
DYNACO M2 FREEZER

The Dynaco M2 Freezer is specially designed for freezer applications. High operating speed and excellent seal allow efficient traffic flow while minimizing temperature variations. Optionally, an insulated curtain is available for additional savings on energy costs. The absence of rigid elements in the curtain and the soft bottom edge make the Dynaco M2 Freezer intrinsically safe.

- **HIGH SPEED OPERATION:**
2,4 m/s opening speed.
1,2 m/s closing speed.
- **PATENTED "PUSH PULL" TECHNOLOGY:**
Unique door drive system.
- **SUPERIOR SEAL:**
Patented side frame assembly. Neither blade nor brush systems required.
- **CRASH FORGIVING AND SELF-REINSERTING WITHOUT INTERVENTION:**
The curtain automatically reinserts itself when dislodged. No repair costs, no production down time.
- **USER SAFETY:**
Flexible curtain without rigid elements.
- **COMFORT OF USE:**
DYNACO wireless detector at the bottom.
- **ADVANCED DRIVE:**
Frequency driven motor and encoder for smooth operation. Wearable elements are reduced to a minimum.
- **DYNALOGIC CONTROL BOX:**
User-friendly control box with self-diagnosis.
- **CONFORM TO EN13241-1**

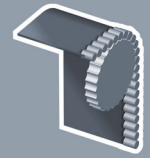
Insulating curtain

"PUSH-PULL^{PT}" drive technology



Push-Pull

gear driven technology











inside door

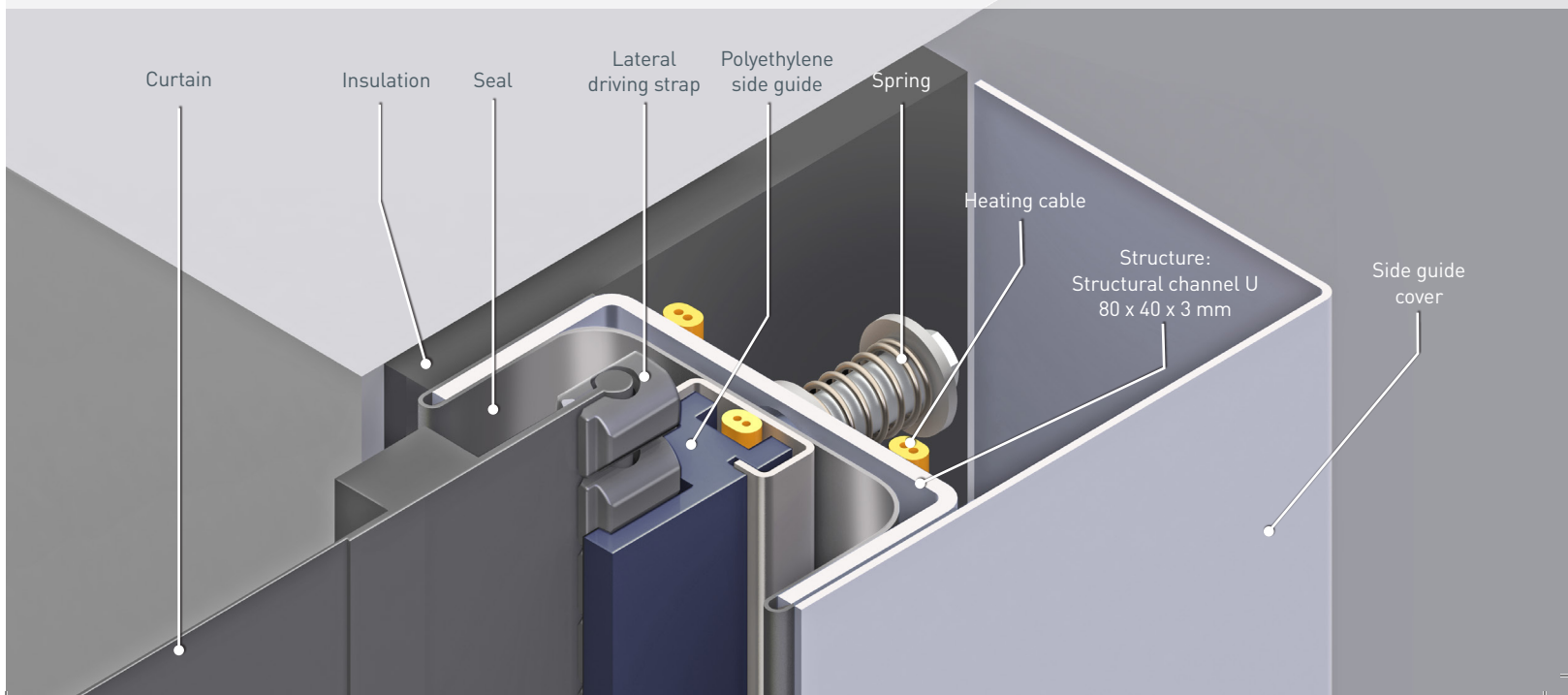
EN13241-1 STANDARDS

Standard	Ref.	Test acc.	Results
Water permeability	EN 12425	EN 12489	Class 1
Wind load	EN 12424	EN 12444	Class 1
Wind permeability	EN 12426	EN 12427	Class 1
Safe openings	EN 12453	EN 12445	Pass
Mechanical resistance	EN 12604	EN 12605	Pass
Unintended movements	EN 12604	EN 12605	Pass
Thermal resistance	EN 12428	EN 12428	6,02 W/m ² K
Performance (cycles)	EN 12604	EN 12605	1.000.000

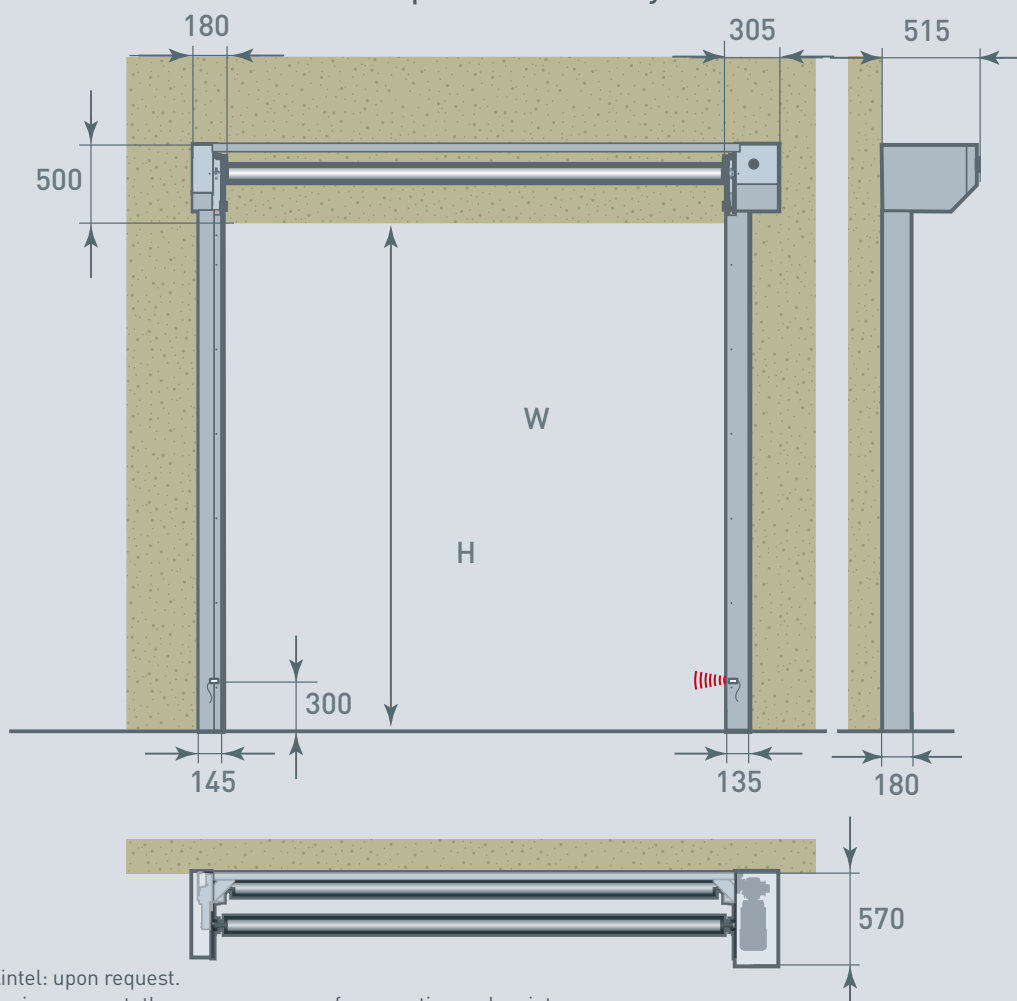
CHARACTERISTICS

Max. dimensions	W 4.000 mm x H 5.500 mm	
Opening speed	With standard curtain Up to 2,4 m/s	With insulating curtain Up to 1,2 m/s
Closing speed	1,2 m/s	1,2 m/s
Structure	Galvanised steel: 80 x 40 x 3 mm. Option: stainless steel.	
Drum	Steel - Ø 102 x 2 mm.	
Side guides	Reinforced polyethylene (PE-UHMW1000) on springs, heated	
Motor	4 poles, without brake. Power 1,5 kW IP rating: IP 65	
Control box	DYNALOGIC provided with: circuit breaker, general divider, adjustable timer, push button for opening and reset and emergency stop. IP rating: IP 54. Frequency inverter.	
Standard detectors	Infrared barrier: 300 mm from the floor. Wireless DYNACO detector (WDD).	
Power supply	Single phase 230V - 23 A	
Frequency	Frequency: 50-60 Hz	
Advised operating temperature:	- 30°C up to +5°C	
Available colours comparable with:	Yellow RAL1003 	Green RAL6005 
	Orange RAL2004 	Grey RAL7035 
	Red RAL3000 	White RAL9010 
	Blue RAL5002 	Black RAL9005 
(Actual colours may deviate. Colour samples available upon request)		

Side guide and lateral driving strap view



Dimensions and installation requirements Dynaco M2 Freezer



* Option reduced lintel: upon request.

All indicated dimensions are net: the space necessary for mounting and maintenance has to be provided. Weekly maintenance (de-icing) is necessary.

REMARK: Based on the risk analysis of the environment, extra push buttons and detectors might be required.

© Entrematic Group AB – 2016

Entrematic offers a comprehensive range of products for industrial, commercial, institutional and residential applications, including sectional doors, loading dock equipment, high-performance doors, residential garage doors, pedestrian doors, gates and barriers, and automation and operators. Built on nearly 200 years of accumulated expertise, Entrematic aims to be the most dynamic, innovative company in the entrance automation industry, and the best partner for dealers and installers. Our well-known brands include Normstahl, Dynaco, Ditec and EM.

Entrematic, Amarr, Kelly, Serco, Normstahl, Dynaco, Ditec and EM, as words and logotypes, are examples of trademarks owned by Entrematic Group AB or companies within the Entrematic Group.

The Dynaco products are protected by worldwide registered patents. As part of its policy of continuous product development, Entrematic Belgium NV reserves the right to change the characteristics of its products or components without prior notice.

Disclaimers:

For a correct use of our products, please refer to our manual.

Everything that is mentioned in this brochure is only valid under the terms of use in the user manual and on condition that the door was properly installed and maintained and has not undergone abuse nor neglect.

